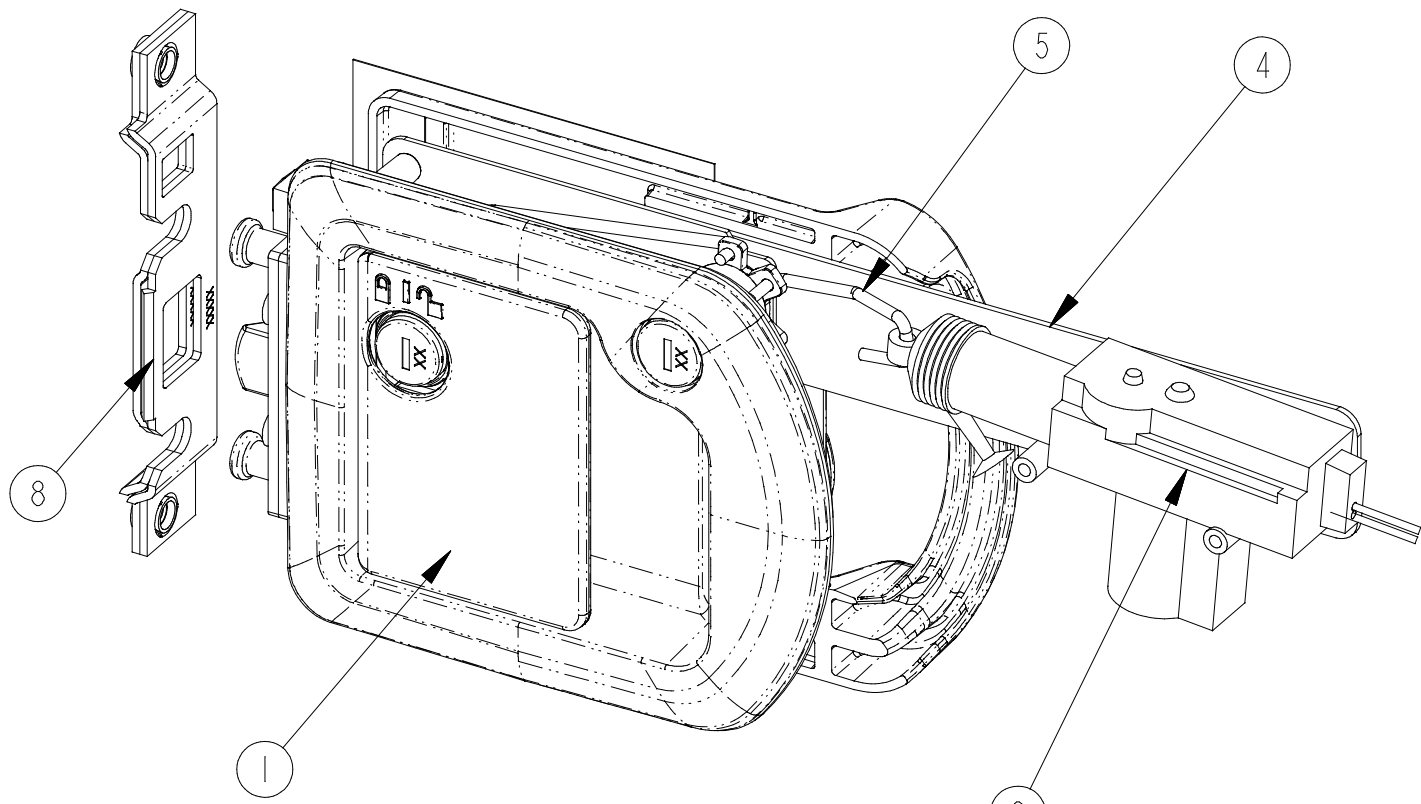


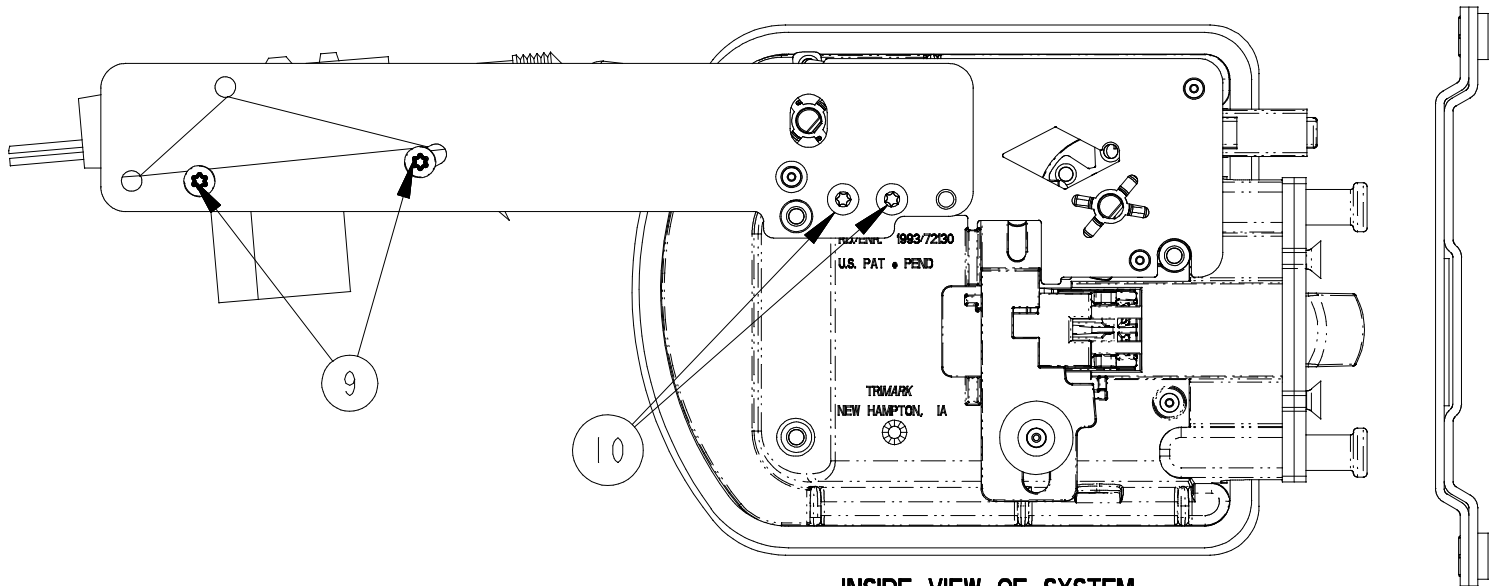
2	10	15554-01	POWER BRACKET MOUNT FASTENERS	2
	9	19935-02	POWER ACTUATOR MOUNT FASTENERS	2
	8	12156-15	STRIKE ASSEMBLY	1
	7	22030-01	DOOR EDGE MOUNT FASTENERS	2
	6	22029-01	INSIDE/OUTSIDE MOUNT FASTENERS	3
1	5	29396-01	POWER LOCK ROD	1
	4	29397-01	POWER ACTUATOR MOUNT BRACKET	1
	3	19062-XX	POWER ACTUATOR	1
	2	31073-02, -03, -05	INSIDE ASSEMBLY	1
	1	29412-02 THRU -12	OUTSIDE ASSEMBLY	1
POWER DEADBOLT				



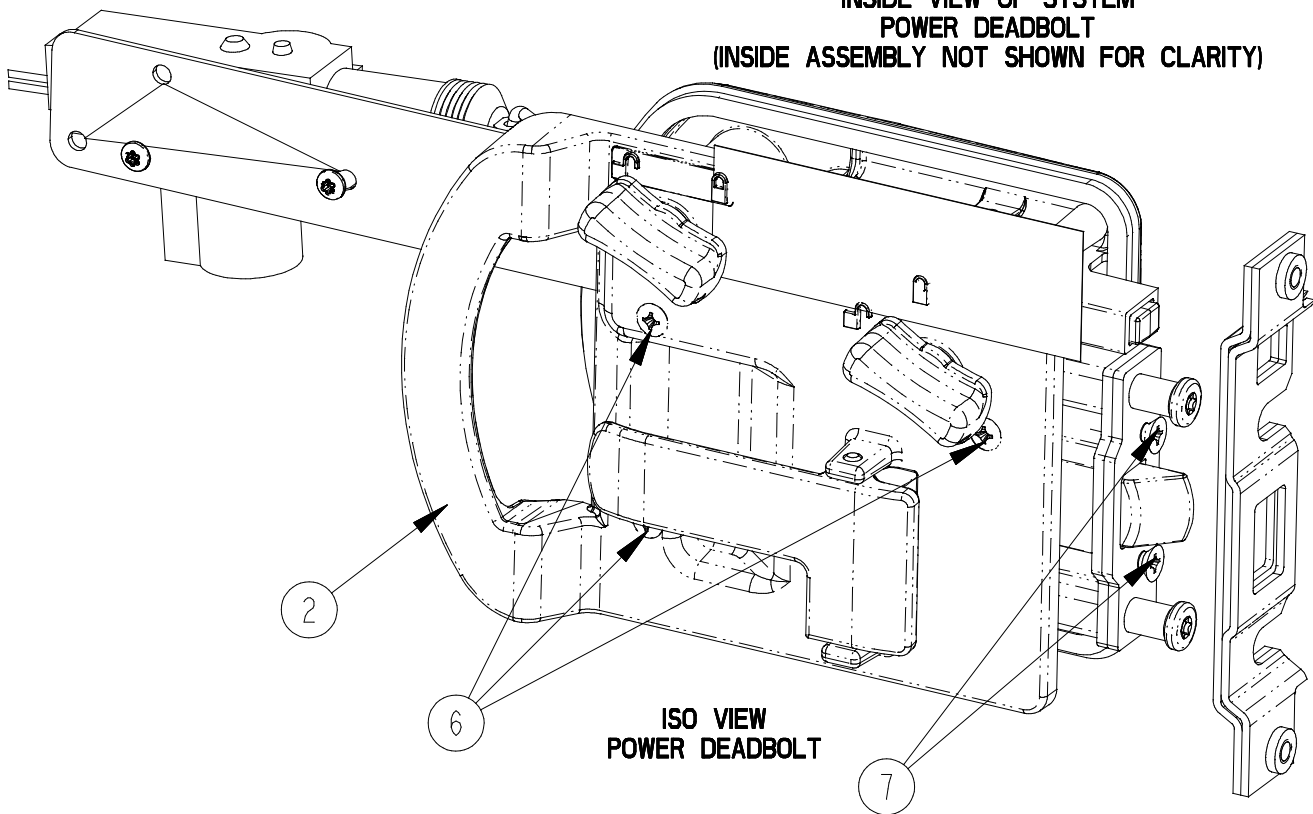
ISO VIEW
POWER DEADBOLT

DRAWN BY		
CHK'D BY		
RLSE DATE		

TYPICAL APPLICATION	
SCALE	DESCRIPTION
0.5	060-1650, 060-1625, TYPICAL APPLICATIONS
SIZE	
A	
REVISION	PART NUMBER
	TY060-1650A



INSIDE VIEW OF SYSTEM
POWER DEADBOLT
(INSIDE ASSEMBLY NOT SHOWN FOR CLARITY)

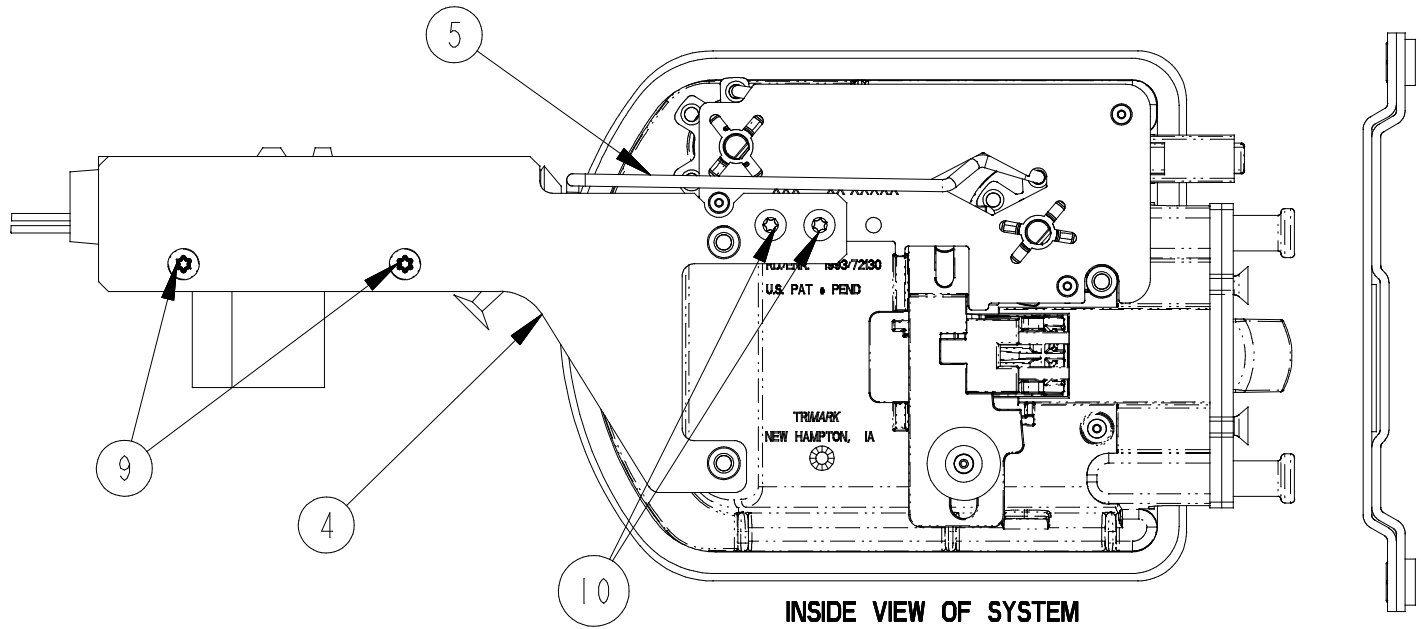


ISO VIEW
POWER DEADBOLT

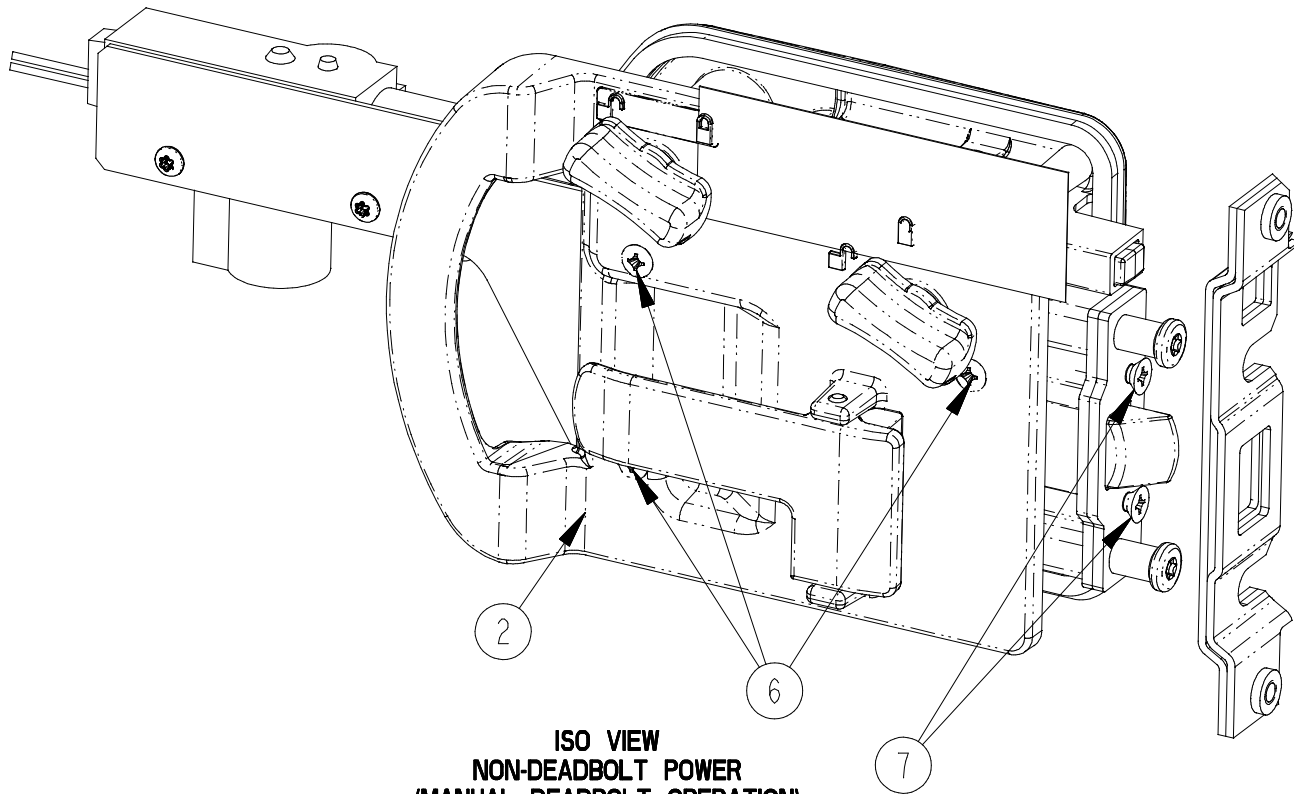
DRAWN BY		
CHK'D BY		
RLSE DATE		

TYPICAL APPLICATION

SCALE	DESCRIPTION
0.5	060-1650, 060-1625, TYPICAL APPLICATIONS
SIZE	
A	
REVISION	PART NUMBER
	TY060-1650A



INSIDE VIEW OF SYSTEM
NON-DEADBOLT POWER
(MANUAL DEADBOLT OPERATION)



ISO VIEW
NON-DEADBOLT POWER
(MANUAL DEADBOLT OPERATION)

DRAWN BY		
CHK'D BY		
RLSE DATE		

TYPICAL APPLICATION

SCALE	DESCRIPTION
0.5	060-1650, 060-1625, TYPICAL APPLICATIONS
SIZE	
A	
REVISION	PART NUMBER
	TY060-1650A

4. SET THE END OF THE ROD INTO THE HOLE OF THE POST ACTUATOR AND ROTATE CLOCKWISE UNTIL ROD IS APPROXIMATELY HORIZONTAL

3. PUT THE ROD AT THIS APPROXIMATE ANGLE

1. ASSEMBLE THE POWER ACTUATOR TO THE ROD AS SHOWN

2. MAKE SURE THE LOCK IS IN UNLOCKED POSITION (BLACK LOCK ARM IS PUSHED AS FAR DOWN AS POSSIBLE).

7. FASTEN POWER ACTUATOR TO POWER MOUNT BRACKET

5. WHEN ROD IS APPROXIMATELY HORIZONTAL, SET POWER MOUNT BRACKET IN PLACE OVER OUTSIDE HOUSING BOSSES

6. FASTEN POWER MOUNT BRACKET IN PLACE AS SHOWN

STEP BY STEP INSTRUCTIONS FOR INSTALLING COMPONENTS FOR NON-DEADBOLT POWER

DRAWN BY		
CHK'D BY		
RLSE DATE		

TYPICAL APPLICATION

SCALE	DESCRIPTION	
0.5	060-1650, 060-1625, TYPICAL APPLICATIONS	
SIZE		
A	REVISION	PART NUMBER
		TY060-1650A